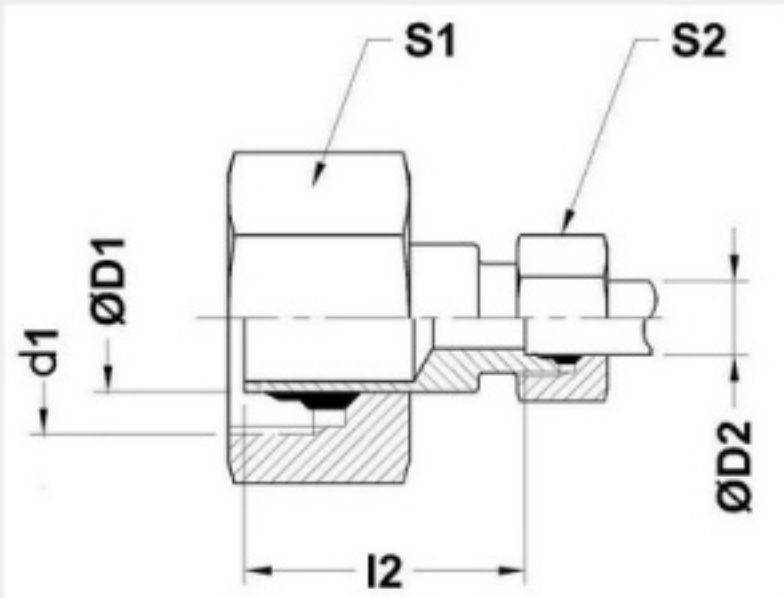


METRIC BITE TYPE FITTINGS

KOR - REDUCTION SLEEVE SERIES-S



ORIENT ENGINEERING WORKS



Part No.	PN	D1	D2	d1	l2	S1	S2
KOR 08/06 S	630	8	6	M16 X 1.5	27	19	17
KOR 10/06 S	630	10	6	M18 X 1.5	27.5	22	17
KOR 10/08 S	630	10	8	M18 X 1.5	27.5	22	19
KOR 12/06 S	630	12	6	M20 X 1.5	29	24	17
KOR 12/08 S	630	12	8	M20 X 1.5	29	24	19
KOR 12/10 S	630	12	10	M20 X 1.5	29.5	24	22
KOR 14/06 S	400	14	6	M22 X 1.5	31.5	27	17
KOR 14/08 S	400	14	8	M22 X 1.5	31.5	27	19
KOR 14/10 S	400	14	10	M22 X 1.5	31	27	22
KOR 14/12 S	400	14	12	M22 X 1.5	31	27	24
KOR 16/06 S	400	16	6	M24 X 1.5	32	30	17
KOR 16/08 S	400	16	8	M24 X 1.5	32	30	19
KOR 16/10 S	400	16	10	M24 X 1.5	31.5	30	22
KOR 16/12 S	400	16	12	M24 X 1.5	31.5	30	24
KOR 16/14 S	400	16	15	M24 X 1.5	33	30	27